

PRODUCT DATA SHEET – DRN-23

Section 1. PRODUCT DESCRIPTION

PLASTERBOARD “DRIVA” NYLON PLUG – DRN-23

Plug DRN-23 is made of nylon. It is used as a shank with connecting components. Wide thread ensures easy embedding in the plasterboard and large support surface, which prevents local substrate damage. The plug does not require much space behind the plasterboard.

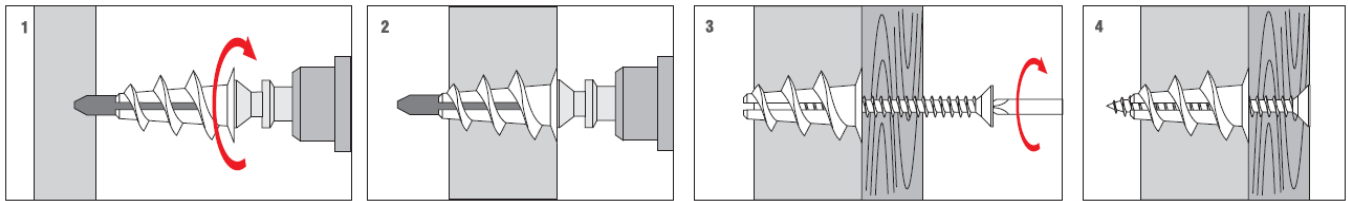
Types of substrates on which plug DRN-23 can be installed:

- Plasterboard



Section 2. METHOD OF INSTALLATION

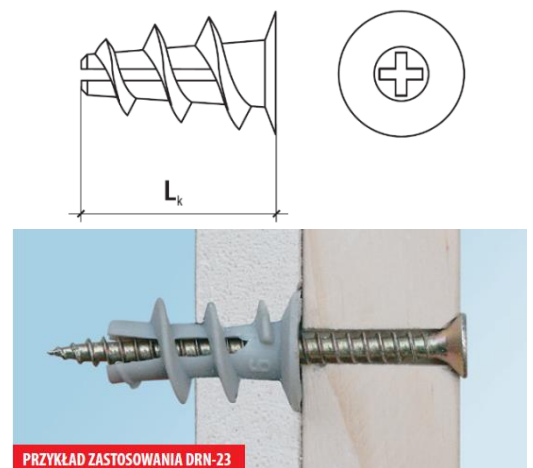
1. Original fasteners delivered by the manufacturer can be used only
2. Before installation identify a substrate in which the fastener will be installed and compare loads which the fastener will carry to the resistance values
3. To fasten the shank in a substrate use KDR bit.
4. If installation is executed without KDR bit, pre-drilling is required
5. After the shank is embedded, push element being fixed to the substrate, insert screw through the hole, and then tighten it using cordless or manual screwdriver



Section 3. TECHNICAL DATA

Product code	RESISTANCE		
	Characteristic/design resistance [kN]		
	9.5 mm plasterboard	12.5 mm plasterboard	Chipboard 2x12.5 mm
DRN-23 - 3,0	0,15/0,07	0,20/0,09	0,23/0,10
DRN-23 - 3,5	0,24/0,11	0,32/0,14	0,35/0,16

Product code	SELECTION TABLE			
	Hole diameter	Shank length	Screw diameter range	Number of pieces in a box
	d ₀ [mm]	L _k [mm]	[mm]	[pcs]
DRN-23	8	23	3,0-3,5 x 30	200



Section 4. REMARKS

1. All previous versions of this Product Data Sheet shall cease to be valid
2. Data given in this Product Data Sheet is in accordance with current knowledge and published in good faith. KLIMAS Sp. z o.o. is not responsible for correctness and quality of the fixing if recommendations regarding method of use and installation are not followed.